

- 1
- 2
- 3
- 4
- 5
- 6
- 7
- 8
- 9
- 10
- 11
- 12
- 13
- 14
- 15
- RH

**GUIDE PROFILE**

Polyethylene based (HMWPE) technopolymer, natural colour.

**BRACKET**

AISI 304 stainless steel.

**FEATURES AND APPLICATIONS**

GLS side guide with shaped profile is used for the side guide of products with different dimensions on conveyor belts (Fig.1), without leaving traces on the containers.

High molecular weight polyethylene (HMWPE) has a high wear resistance; it is particularly suitable for high-speed movements due to its low coefficient of friction.

They are generally used with GLT or GLP-12 side guides (Fig.2) in case of products with important vertical dimensions. Supplied in bars of 3 meters length.

**ACCESSORIES ON REQUEST**

Guide rail clamps MPG-T-S, MPG-2T, MPG-T.



Fig.1

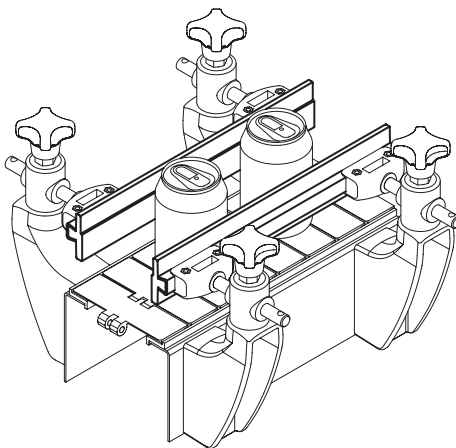
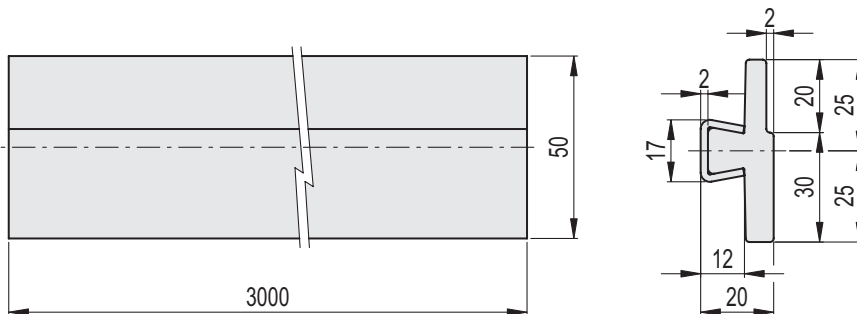
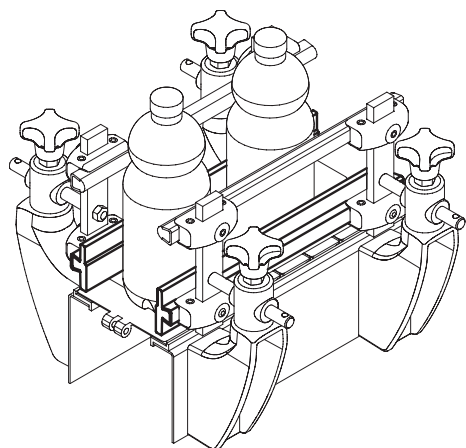


Fig.2



Code	Description	⚖
419212	GLS-50-30-3000	2070